

### DESCRIZIONE - DESCRIPTION

Valvola a sfera con calotta mobile F/F 3/4" con attacco porta sonda piombabile. Leva farfalla rossa.

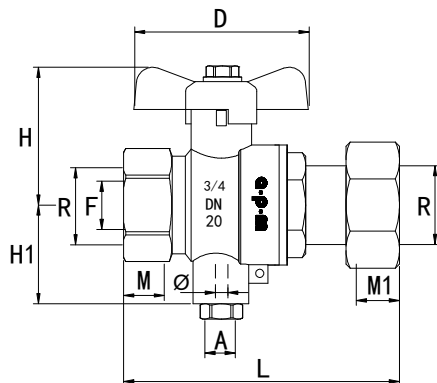
Ball valve F/F 3/4" with swivel nut and with probe holder sealable. Red butterfly handle.



### CARATTERISTICHE - FEATURES

- Corpo, manicotto calotta e sfera, in ottone CW617N.
- Premistoppa e asta in ottone CW614N
- Sfera lavorata con utensile in diamante, cromata.
- Sedi in P.T.F.E. vergine.
- Guarnizione tenuta asta: O-ring in gomma NBR e anello in PTFE.
- Leva di comando in alluminio rossa.
- Finitura superficiale sabbiata nichelata, filettature gialle
- Filettature ISO 228/1
- PN 30: TEMP. : -20°C ÷ 120°C
- Brass CW617N body, bonnet, nut and ball.
- Brass CW614N stuffing box and stem
- Ball ground by diamond-tipped tool, chromium plated.
- Virgin P.T.F.E. seats.
- Stem tightness :NBR rubber o-ring and PTFE ring.
- Red aluminium lever.
- Nickel plated finishing with yellow threads.
- Threading to ISO 228/1.
- PN 30: TEMP. : -20°C ÷ 120°C

### DIMENSIONI PRINCIPALI - LEADING DIMENSIONS



R	1/2	3/4	1
D		54	
H		41.5	
H1		32	
L		81	
M		11.5	
M1		13	
F		19	
A		M10x1	
Ø		6.5	

### PRESSIONI DI ESERCIZIO A MAX 80°C - WORKING PREASSURES AT 80°C

PN 30			*				p.s.i. 435
	1/2"	3/4"	1"	1 1/4"	1 1/2"	2"	